

# BOYA

## Desktop Microphone

桌面麦克风

### BOYA K3

User Manual  
用户手册

## Statement

Please read this manual carefully before using, and strictly operate and store it in accordance with the instructions. Please save the manual for future reference. If you need further assistance than the user manual, please consult your retailer for help or email us at: [support@boya-mic.com](mailto:support@boya-mic.com)

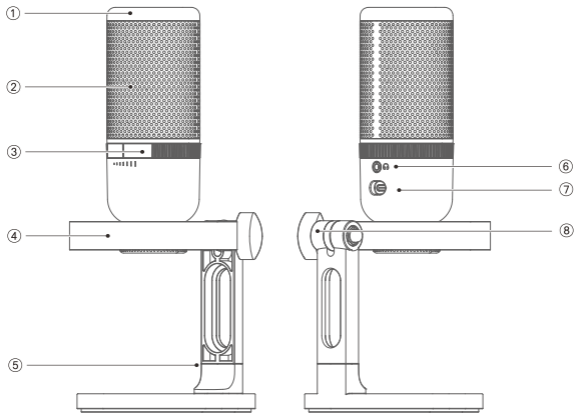
## Cautions

1. Do not use the microphone underwater or expose it to rain. Please store it in a cool, dry place.
2. Use and store the microphone at a normal temperature. Do not frequently move it between hot and cold environments. Please keep it away from heat sources such as heaters, ovens.
3. When using and storing, please keep away from dust and moisture.
4. Avoid harsh impacts and collisions on the microphone.
5. Do not position the microphone close to the speakers to prevent audio feedback.
6. For the best pick-up pattern, do not hold your hand against the microphone.

## General Introduction

The K3 is a desktop microphone equipped with RGB lighting and dynamic effects, creating a fashion style and ambiance for your gaming or live show. It boasts a shock mount at the bottom to minimize handling noise, and includes a built-in foam to reduce sound spikes. The microphone's LED indicator allows you to easily monitor its status while recording. Additionally, you can mute the microphone with one tap which helps avoid embarrassing mishaps during a live show. K3 microphone adopts a gain control dial for quick adjustment of input sensitivity. The provided adapter is compatible with 3/8" and 5/8" threads for most stands. The K3 microphone delivers high-quality sound whether connected to a PC, PS5, PS4, or Mac.

## Product Structure



### ① Mute Button / RGB Lighting Effect Switch / Noise Cancellation Button

**Mute:** Lightly tap the top once to mute or unmute the microphone. The RGB light will flash red rapidly when the microphone is muted.

**Noise Cancellation:** Lightly tap the top twice to enable or disable noise cancellation. The RGB light will rapidly flash green twice when noise cancellation is enabled, and it will rapidly flash blue twice when noise cancellation is disabled.

**RGB Lighting Effect:** Press and hold the top to turn on or off the RGB light.

### ② RGB Light

### ③ Gain Control Dial

Rotate to the right to increase volume; rotate to the left to decrease volume.

### ④ Shock Mount

### ⑤ Desktop Stand

### ⑥ 3.5 mm Headphone Jack

Connect headphones for audio monitoring.

### ⑦ USB-C Output

For outputting audio to devices such as smartphones, tablets, or computers.

### ⑧ Adjustment Knob

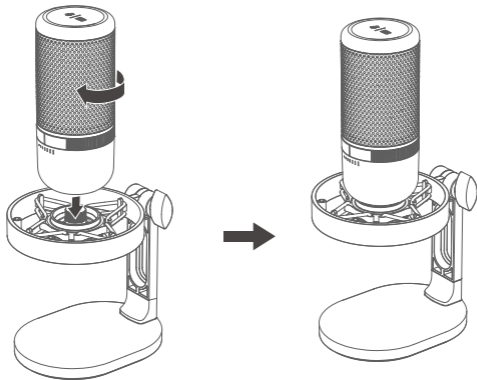
Loosen this knob to adjust the microphone's angle for a better sound pick-up.

## Accessory Installation

The K3 can be used on a table or be mounted on a boom arm, applicable for various recording scenarios.

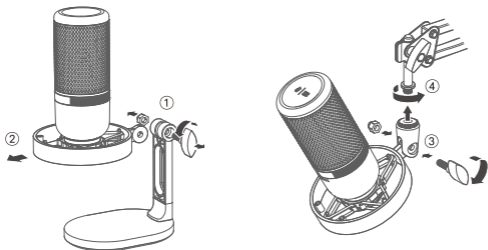
### Desktop Stand Installation

Attach the microphone to the desktop stand as shown in the figure below:



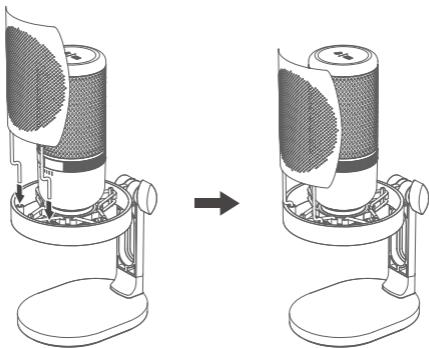
### Boom Arm Installation

1. Rotate the adjustment knob counterclockwise to remove the microphone from the desktop stand.
2. Install the included adapter onto the shock mount, then screw it into the boom arm.



## Pop Filter Installation

Align the bottom of the pop filter with the two slots on the shock mount and insert it into place as shown in the figure below.



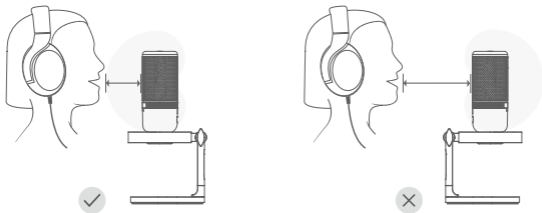
## Operation Guide

### Microphone Activation

Connect the microphone to your phone, computer, or other device using the included data cable. When connecting to a computer, you may need to configure program settings. For details, refer to the "Program Settings" section.

### Microphone Placement

Place the microphone 5 to 15 cm (2"-6") away from the sound source to enhance recording quality.



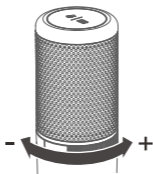
### Mute Function

Lightly tap the top of the microphone once to mute or unmute the microphone. When muted, the RGB light will flash red rapidly.



### Adjusting Gain

Rotate the gain adjustment dial to the right to increase volume; rotate it to the left to decrease volume.



### Noise Cancellation

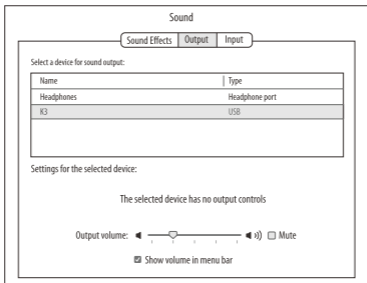
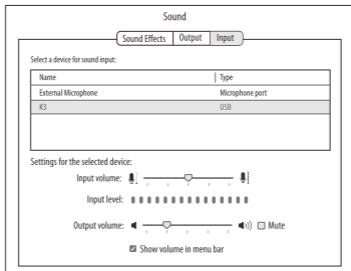
Lightly tap the top of the microphone twice to enable or disable noise cancellation. If the recording environment is noisy, it is recommended to activate the noise cancellation. When noise cancellation is activated, the RGB light will flash green twice rapidly; when deactivated, it will flash blue twice rapidly.



# Program Settings

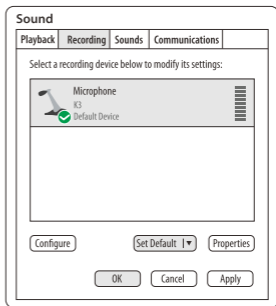
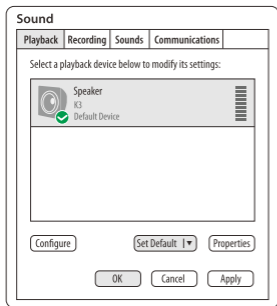
## Program Setup for Mac System

1. Connect the **K3** to your Mac computer using the included data cable.
2. Open **System Preferences**, then select the **Sound** icon.
3. Choose **K3** as the input device under the **Input** tab.
4. Select **K3** as the output device under the **Output** tab.



## Windows System Setup

1. Connect the **K3** to your computer using the included data cable.
2. Go to **Settings > System > Sound**.
3. In the **Playback** tab, select **K3** as the default device.
4. In the **Recording** tab, select **K3** as the default device.

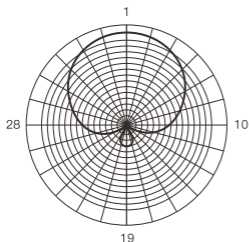




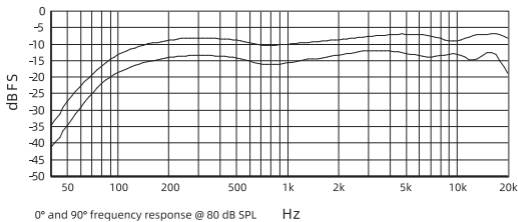
## Specifications

Acoustic Principle	Condenser Microphone
Polar Pattern	Super-cardioid
Frequency Response	20 to 20,000 Hz
Sensitivity (Maximum Gain)	-11 dBFS at 80 dB SPL
Sensitivity (Minimum Gain)	-39 dBFS at 80 dB SPL
Sampling Rate	48 kHz
Bit Rate	16/24 Bit
Signal-to-noise Ratio	75 dB
Maximum Sound Pressure Level (SPL)	108 dB SPL
Minimum Output Impedance	16 $\Omega$
Port	3.5 mm headphone jack for monitoring, USB-C output (USB-C 2.0 Hi-Speed)
Dimensions	86 x 117 x 249 mm(Desktop Stand Included)
Weight	Approx. 415 g(Desktop Stand Included)
Power Supply	5 V, 200 mA (Max)
Operating System Requirements	Windows: 10.0 or later, macOS: 10.15 or later, Android: 9.0 or later, iPadOS*: 14 or later (Apple devices with a USB-C port are required)
Operating Temperature	0 °C to +40 °C (32 °F to 104 °F)
Storage Temperature	-20 °C to +70 °C(-4 °F to 158 °F); 10 to 95 %, not condensing

## Polar Pattern



## Frequency Response



## In the Box

- K3 Microphone × 1
- Pop Filter × 1
- Desktop Stand (with Shock Mount) × 1
- USB-C to USB-C / USB-A Data Cable (1.8 m) × 1
- 3/8" to 5/8" Threaded Adapter

# 声明

感谢您选择BOYA!

请在使用前仔细阅读本手册，并严格按照说明进行操作和存储。请妥善保存好说明书以供将来参考。如果用户手册不能帮助您解决某些问题，请向零售商寻求帮助或给我们发送电子邮件: [support@boya-mic.com](mailto:support@boya-mic.com)

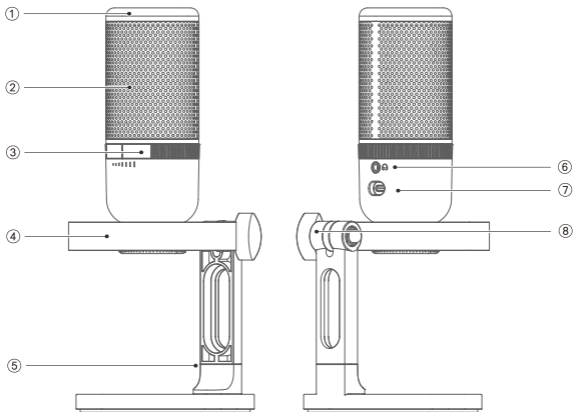
## 注意事项

1. 不要在水下使用本机，不要将其暴露在雨中。请存放在阴凉干燥处。
2. 请在常温下使用并保存。不要频繁地将其从过热状态移至过冷状态，并远离热源，如加热器、烤箱或其他产生热量的设备。
3. 在使用和储存时，请注意防尘和防潮。
4. 小心避免猛烈的碰撞。
5. 为避免声音反馈，请勿将麦克风靠近扬声器。
6. 为获得最佳拾音模式，请勿将手放在麦克风上。

## 概述

K3是一款USB电容式麦克风，机身自带RGB照明和动态效果，可为游戏或直播间增添风格或氛围感；底部具有防振减震底座，有助于消除日常生活中的碰撞噪声，并内置海绵以消除爆音。使用LED指示灯立即了解您的麦克风状态，只需点击静音即可避免尴尬的直播事故。这款话筒配有增益控制表盘，可快速调节输入灵敏度。附带的安装适配器适用于3/8"和5/8"螺纹尺寸，与大多数支架兼容。它适用于多平台，因此无论您连接到PC、PS5、PS4还是Mac，都可以提供高质量的声音输出。

## 产品结构



### ① 静音键 / 灯效切换键/降噪键

静音：轻拍顶部一下，开启或关闭静音。静音开启后，RGB灯呈红灯快闪。

降噪：轻拍顶部两下，开启或关闭降噪。降噪开启时，RGB灯绿灯快闪两下；

降噪关闭时，RGB灯蓝灯快闪两下。

RGB灯效：长按顶部，可开启或关闭灯效。

### ② RGB氛围灯

### ③ 增益调节表盘

向右旋转增大音量；向左旋转减小音量。

### ④ 防震支架

### ⑤ 桌面支架

### ⑥ 3.5 mm耳机监听孔

可接入耳机进行音频监听。

### ⑦ USB-C输出接口

用于输出音频至智能手机、平板或电脑等设备。

### ⑧ 紧固旋钮

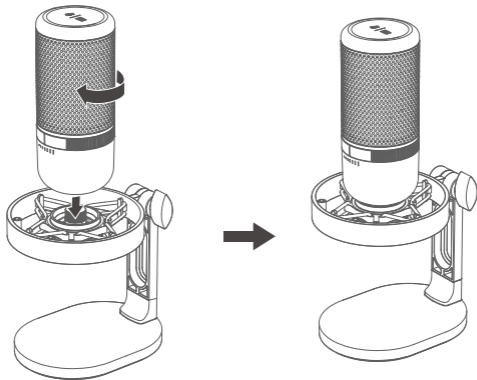
可通过调整该旋钮的松紧度来调节麦克风的角度的。

## 配件安装

K3可适用于不同的场景录音，既可以在桌面上使用，也可以固定在悬臂支架上使用。

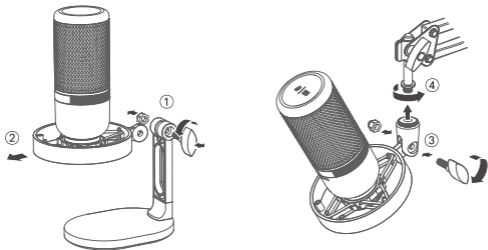
### 桌面支架安装

如下图所示，将麦克风安装至桌面支架上：



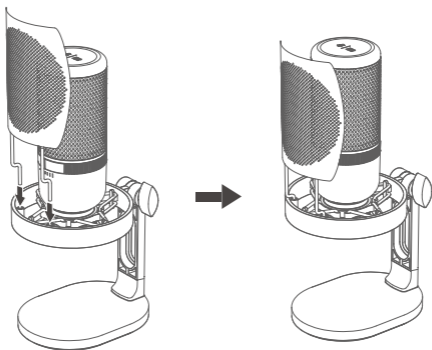
### 悬臂支架安装

1. 逆时针旋转紧固旋钮将麦克风从桌面支架上取出；
2. 将接头安装在防震架上，即可接入悬臂支架。



## 防喷网安装

将防喷网底部对准防震架前方两个插口插入，即可固定。



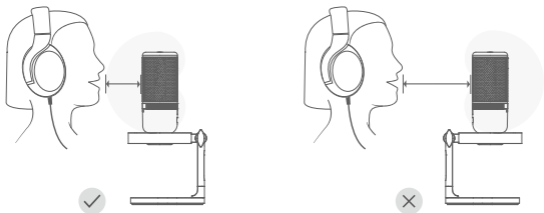
## 操作指南

### 启用麦克风

使用配套的一分二USB-C转USB-C / USB-A数据线连接麦克风至手机、电脑等。连接电脑使用需设置程序，详情请参考“程序设置”。

### 拾音规范

请将麦克风放置在声源的5 - 15 cm处，提高录制效果。



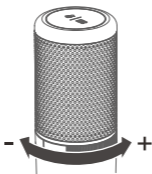
## 静音

轻触顶部一下可开启或关闭静音。静音开启后，RGB灯呈红灯快闪。



## 调整增益

向右旋转增益调节表盘增大音量；向左旋转减小音量。



## 降噪

可轻拍麦克风顶部两下开启 / 关闭降噪。若录音环境较为嘈杂，建议开启降噪功能。降噪开启后，RGB灯呈绿灯快闪2次；降噪关闭后，RGB灯呈蓝灯快闪2次。



# 程序设置

## Mac系统程序设置

1. 使用随附的数据线将K3接入电脑；
2. 打开“系统偏好设置”，然后选择“声音”图标；
3. 选择“K3”为输入设备；
3. 选择“K3”为输出设备；





## Windows系统程序设置

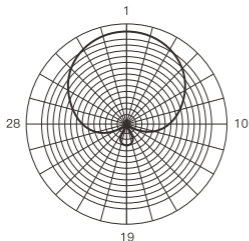
1. 使用随附的数据线将K3接入电脑；
2. 进入设置>系统>声音
3. 在“播放”选项卡下选择“K3”为默认设备；
4. 在“录制”选项卡下选择“K3”为默认设备。



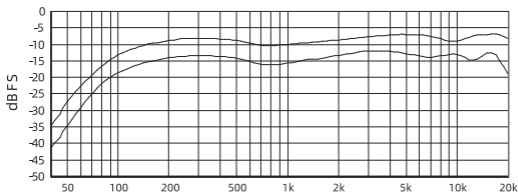
## 参数

声学原理	电容麦
拾音模式	超心形
频率响应	20~20000Hz
灵敏度（最大增益）	-11 dBFS at 80 dB SPL
灵敏度（最小增益）	-39 dBFS at 80 dB SPL
采样率	48kHz
比特率	16/24bit
信噪比	75dB
最大声压级	108 dB SPL
最小输出阻抗	16 $\Omega$
接口类型	3.5mm耳机监听孔 USB-C输出接口（USB 2.0高速）
尺寸（包含桌面支架）	86*117*249 mm
重量（包含桌面支架）	约 415 g
电源要求	最高支持5V,200mA
兼容系统	Windows:10.0或以上, macOS:10.15或以上, Android:9.0或以上, iPadOS*:14或以上(需要支持USB-C的苹果设备)
工作温度	0 °C - +40 °C(32 °F - 104 °F)
贮存温度	-20 °C - +70 °C(-4 °F - 158 °F) 10 - 95 %,不冷凝

## 极性模式



## 频率响应



0°和90°频率响应@80 dB最大声压级 Hz

## 包装清单

K3 麦克风 × 1

防喷网 × 1

桌面支架（带防震支架）× 1

一分二USB-C转USB-C / USB-A数据线（1.8 m）× 1

3/8" 转 5/8" 螺纹接头 × 1

**SHENZHEN JIAYZ PHOTO INDUSTRIAL., LTD.**

The BOYA logo is a trademark which is registered and owned by Shenzhen Jiayz Photo Industrial., Ltd.

深圳市长丰影像器材有限公司

地址:广东省深圳市龙华区观澜街道大富社区硅谷动力智能终端产业园A16栋

TEL: 400 6131096

Email: sales@boya-mic.com

www.boya-mic.com / www.jiayz.com